

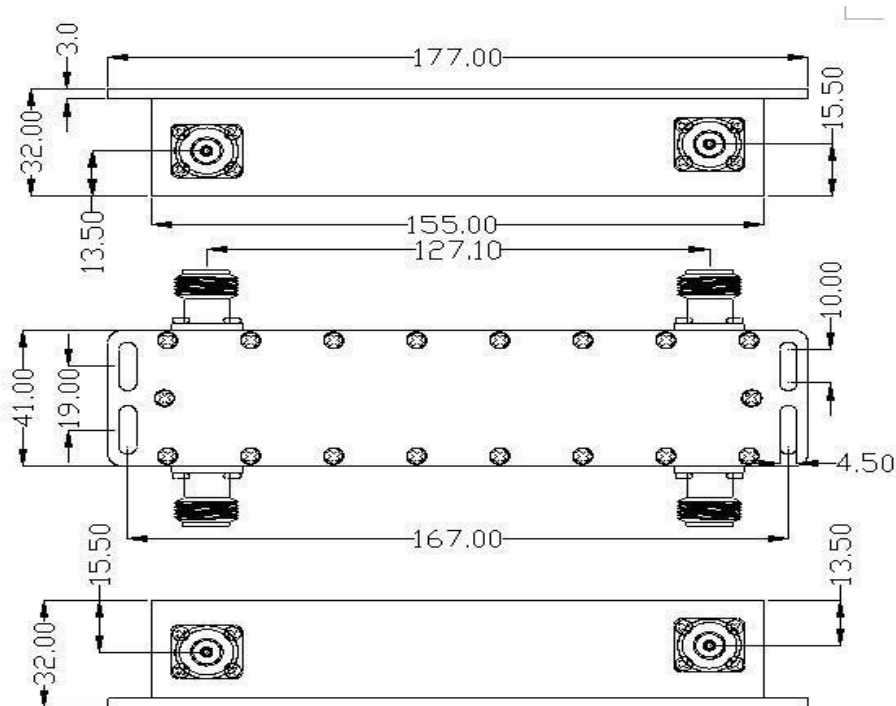


## Wide Band 2IN 2OUT 3dB Hybrid Coupler

### CSG 36982700-200N

PARAMETERS	SPECIFICATIONS
Frequency range	698 ~ 2700 MHz
Dissipation Loss	$\leq 3.01$ dB
Insertion Loss	$\leq 0.50$ dB
Band Ripple	$\leq \pm 0.4$ dB
Coupling	$3.0 \pm 0.50$ dB
Isolation	$\geq 22$ dB
VSWR	$\leq 1.20$
Power	$\geq 200$ Watt
Impedance	50 $\Omega$
PIM3	$\leq -150$ dBc @ 2 x 43 dBm
Connectors	N-Female
Dimensions	177 x 41 x 32 mm
Weight Approx.	350 grams
Operating Humidity	5 ~ 95 %
Operating Temperature	-30 ~ 70 °C
Environment	Indoor

#### Structure Dimensions:



**WE ALSO UNDERTAKE DESIGNS PER YOUR REQUIREMENT**

CSG Networks Pvt Ltd. 109-110, HUDA Industrial Area Sector-59 Faridabad, Haryana-121004 INDIA

E-mail : [sales@csgnets.com](mailto:sales@csgnets.com), Website : [www.csgnets.com](http://www.csgnets.com)