

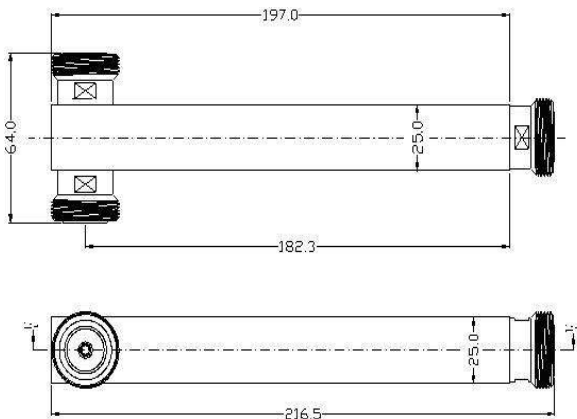
Wideband DIN Type 2 way Power Splitter CSG 37002700-2-DINC

CSG37002700-2-DINC is a wideband Power Splitter specifically designed to operate in wireless frequency bands from 700 MHz to 2700MHz, including IDEN、CDMA、GSM、UMTS、PHS、WLAN、LTE, etc.

The product is particularly suited for splitting power in indoor/outdoor coverage systems

PARAMETERS	SPECIFICATIONS
Frequency Range	698 ~ 2700 MHz
Split Loss	≤ 3.01 dB
Insertion Loss	≤ 0.3 dB
VSWR	$\leq 1.25 : 1$
Max. Input Power	≤ 300 Watt
Input Peak Power	≤ 1000 Watt
Impedance	50 Ω
PIM	$\leq -150@2x43$ dBm
Dimensions	197 x 25 x 25 mm
Weight	260 gram
Connector	DIN-Female
Operating Humidity	5 ~ 95 %
Temperature	-40 ~ 80 C
Connector Surface Treatment	Tri-Metal
Environmental	Indoor / outdoor IP65

Structure Dimensions:



Product Image:

