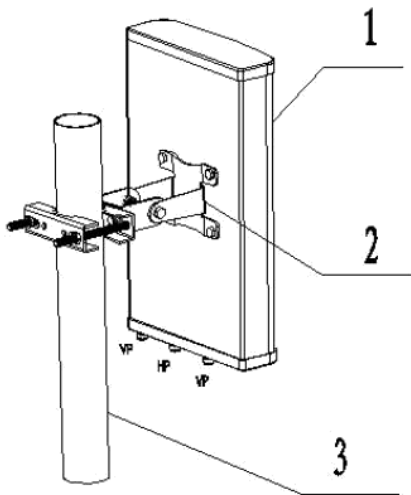


## 2.4 GHz MIMO Sector Antennas CSG 62415 MPSN-90x3(Cisco Radios)

PARAMETERS	SPECIFICATIONS
Frequency	2400 ~ 2500 MHz
Gain	15.0 dBi
VSWR	≤ 1.4 : 1
H-Plane Beamwidth	90°
H-Plane Beamwidth	15 °
Electrical downtilt	6 °
Isolation	≥ 25 dB
Front to Back Ratio	≥ 23 dB
Impedance	50 Ω
Polarisation	2 x VP + 1 x HP
Power	100 Watt
Connector	N-Female
Dimensions (approx)	440x175x60 mm
Weight (approx)	1.80 Kgs
Pole Diameter	50 ~ 70 mm



1. Antenna 2. Bracket 3. Pole supplied by customer



**Note: Mounting Hardware and Brackets are supplied with Antenna  
WE ALSO UNDERTAKE DESIGNS PER YOUR REQUIREMENT**