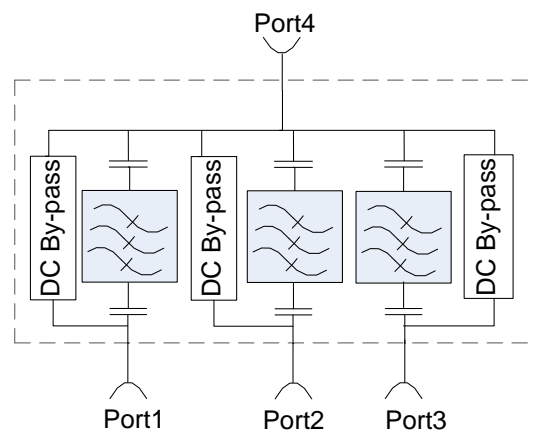
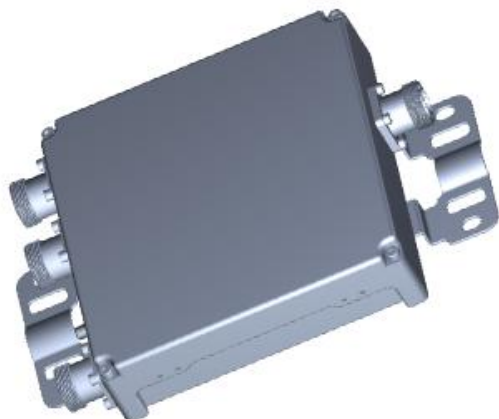




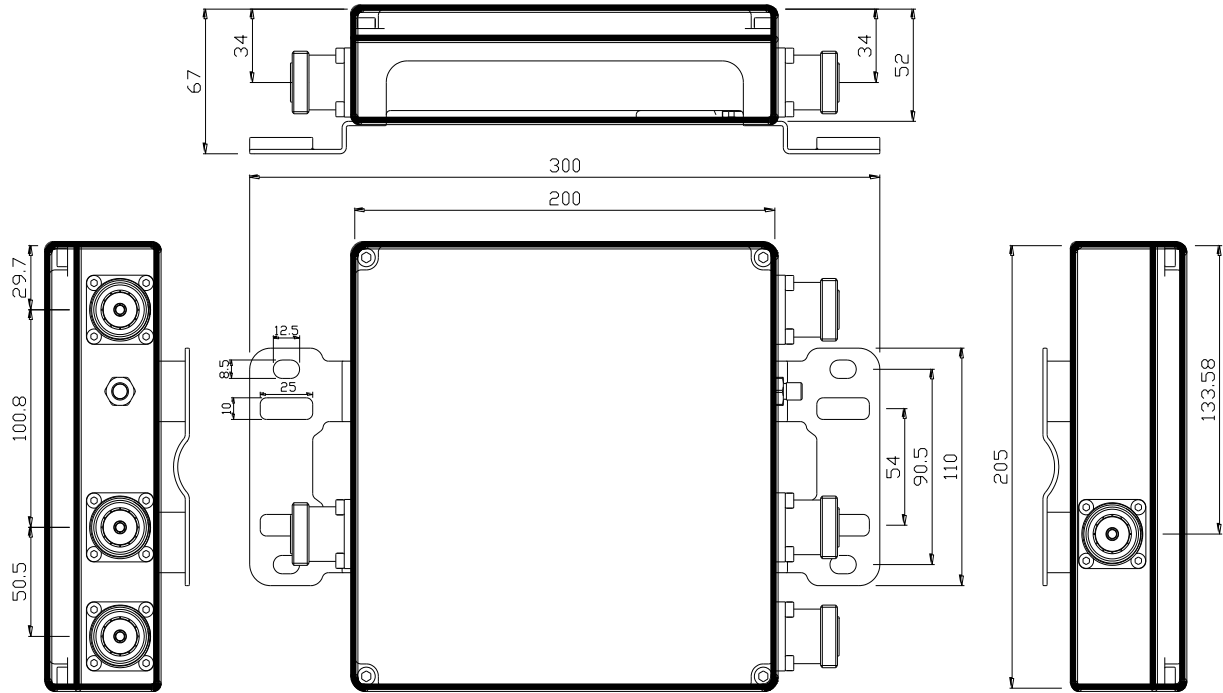
LTE700+GSM900 & DCS & 3G Triplexer / Combiner

Model: CSG-COMB-TRI-0721D

PARAMETERS	SPECIFICATION		
Ports	Port 1	Port 2	Port 3
Frequency Band	700 - 960 MHz	1710 - 1880 MHz	1920 – 2170 MHz
Insertion Loss	≤ 0.4 dB	≤ 0.3 dB	≤ 0.3 dB
Ripple	≤ 0.25 dB		
Return Loss	20 dB		
Isolation	≥ 50 dB		
Impedance	50 Ω		
Input Power	300 Watt (Avg.)		
PIM3	≤ -150dBc@2x43dBm		
DC / AISG	By-pass(max.2500 mA)		
Connectors	DIN-Female		
Temperature	-20 °C - + 55 °C		
Storage Temperature	-40 °C - + 85 °C		
Operating Humidity	5 - 95 %		
Application	Indoor Or Outdoor (IP67)		
Weight	3.8 Kg		
Dimension (Approx)	205 × 200 × 52 mm		



Outline Drawing:



WE ALSO UNDERTAKE DESIGNS PER YOUR REQUIREMENT