

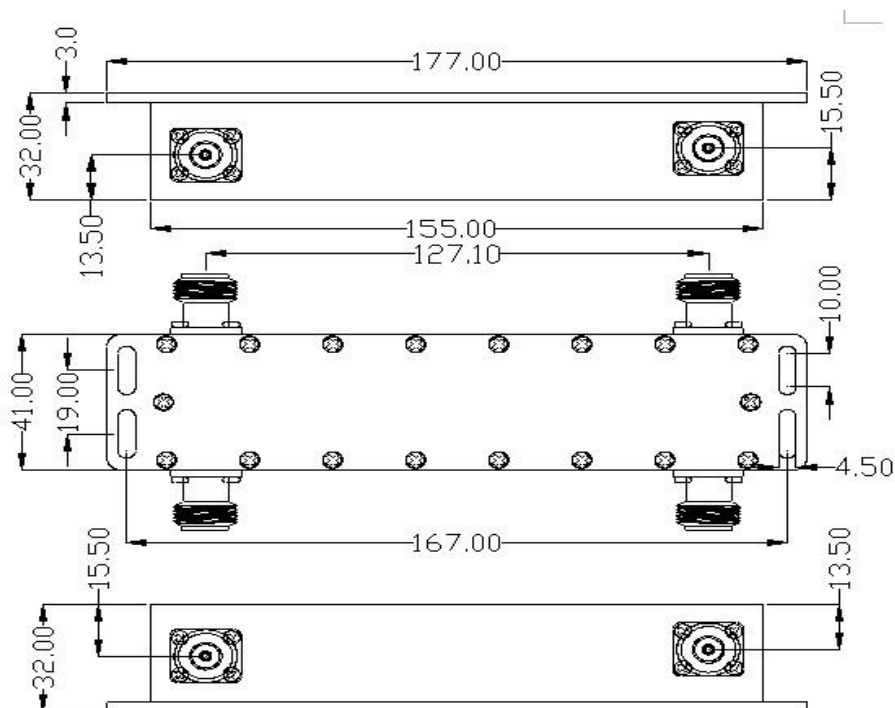


## Wide Band 2IN 2OUT 3dB Hybrid Coupler

### CSG 36982700-200N

PARAMETERS	SPECIFICATIONS
Frequency range	698 ~ 2700 MHz
Dissipation Loss	≤ 3.01 dB
Insertion Loss	≤ 0.50 dB
Band Ripple	≤ ± 0.4 dB
Coupling	3.0 ± 0.50 dB
Isolation	≥ 22 dB
VSWR	≤ 1.20
Power	≥ 200 Watt
Impedance	50Ω
PIM3	≤ -150 dBc @ 2 x 43 dBm
Connectors	N-Female
Dimensions	177 x 41 x 32 mm
Weight Approx.	350 grams
Operating Humidity	5 ~ 95 %
Operating Temperature	-30 ~ 70 °C
Environment	Indoor

#### Structure Dimensions:



**WE ALSO UNDERTAKE DESIGNS PER YOUR REQUIREMENT**