



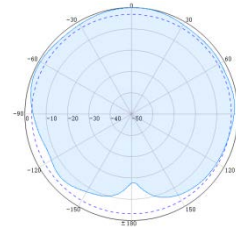
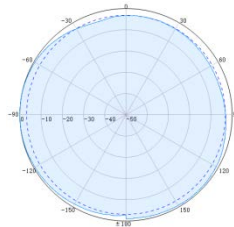
698-2700MHz Low PIM MIMO Omni Antenna

Model: CSG66982700- MIMO CMN 3.5/5.5X2

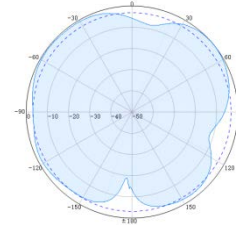
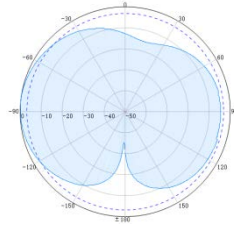
PARAMETERS	SPECIFICATIONS			
	Port 1		Port 2	
Port				
Frequency Range, MHz	698-960	1710-2700	698-960	1710-2700
Gain, dBi	3.5	5.5	3.5	5.5
VSWR	≤1.8	≤1.7	≤1.8	≤1.7
Polarization	Dual Vertical Polarisation ,V / V			
Isolation	>19 dB	>23 dB	>19 dB	>23 dB
PIM, 3rd Order, 2x20W	≤-150 dBc			
Horizontal Beamwidth	360°			
Vertical Beamwidth	90°	46°	90°	46°
Input Impedance	50 Ω			
Max. Input Power	50 W			
Lightning Protection	DC Ground			
Length of Pigtail cable	400 mm (optional)			
Connector	2 x N Female		2 x 4.3-10 Female (optional)	
Dimensions	Ø215x47 mm			
Weight	0.45 kg			
Reflector Material	Copper and PCB			
Radome Material	ABS (UV Stabilized)			
Operating Temperature	-40°C to +65 °C			

Radiation Patterns

Horizontal



Vertical



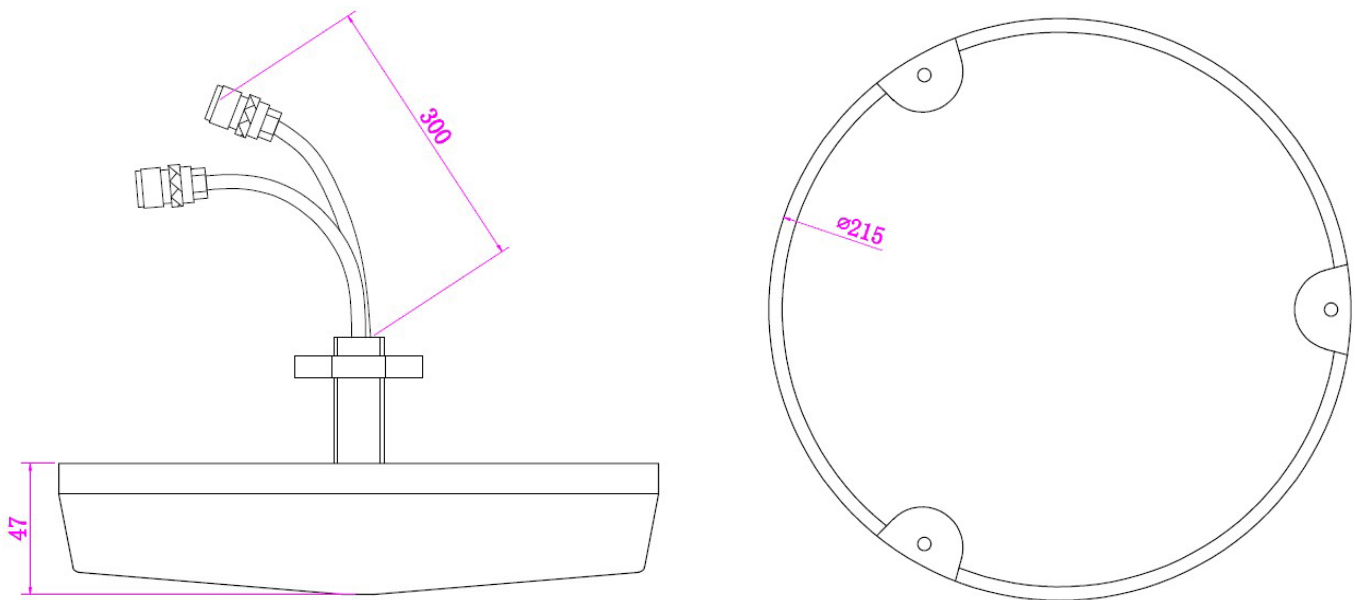
750MHz

2100MHz

Product Pictures



Mounting



WE ALSO UNDERTAKE DESIGNS PER YOUR REQUIREMENT

CSG Network Pvt.Ltd. 109-110, HUDA Industrial Area Sector-59 Faridabad,Haryana-121004 INDIA

E-mail : sales@csgnets.com, Website : www.csgnets.com