



698-3800MHz (5G) Directional Couplers

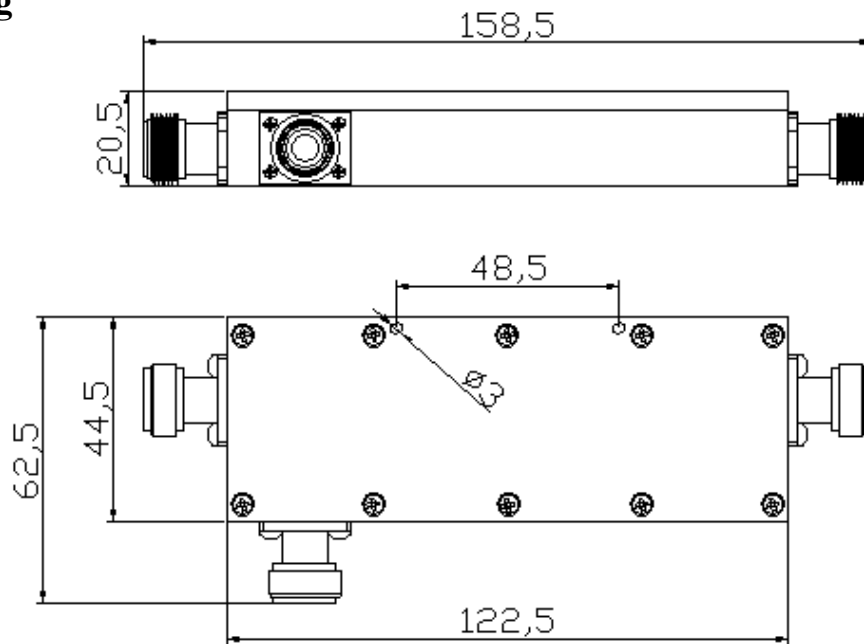
Product Features

- Wide Frequency Band 698-3800MHz
- 5G Compliant
- Low Passive Intermodulation (-150dBc)
- Low VSWR & Insertion Loss
- Widely used for IBS & DAS

Technical & Mechanical Specifications

Model No.	CSG3693800-DC5/6/7X1	CSG3693800-DC10/15X1	CSG3693800-DC20X1	CSG3693800-DC30X1
Frequency Range	698 - 3800 MHz			
Coupling	5/6/7dB	10/15dB	20dB	30dB
Tolerance	± 1.0	± 1.2	± 1.2	± 1.5
Insertion Loss	≤ 2.0/ ≤ 1.75/ ≤ 1.45dB	≤ 0.8/ ≤ 0.5dB	≤ 0.4dB	≤ 0.4dB
Isolation	≥ 25/ ≥ 26/ ≥ 27dB	≥ 28/ ≥ 33dB	≥ 38dB	≥ 48dB
VSWR	≤ 1.25			
PIM	≤ -150dBc@2*43dBm			
Power	300 Watt (average)			
Connector	N-Female			
Operating Temperature	-20°C to + 70°C			
Humidity	5 - 95%			
Application	Indoor or Outdoor, IP60 / IP65			
Colour	Black			
Dimensions	158.5 x 62.5 x 20.5 mm			
Weight	170 gms			

Structure Drawing



Product Pictures



WE ALSO UNDERTAKE DESIGNS PER YOUR REQUIREMENT

CSG Network Pvt.Ltd. 109-110, HUDA Industrial Area Sector-59 Faridabad,Haryana-121004 INDIA
E-mail : sales@csgnets.com, Website : www.csgnets.com